

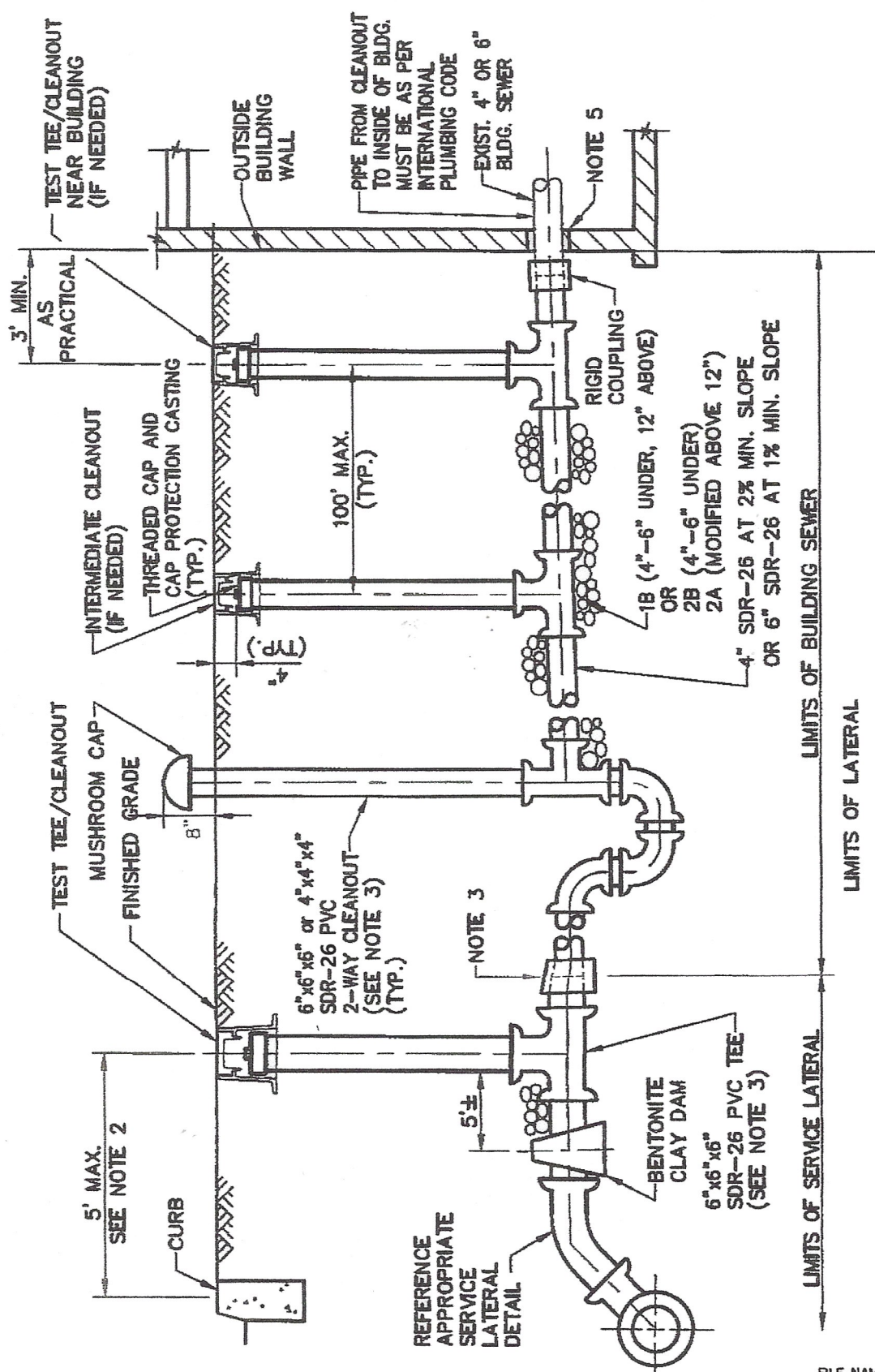
ELEVATION

- NOTES:**
1. PIPE SIZES AND MATERIALS TO BE IN ACCORDANCE WITH AUTHORITY REQUIREMENTS.
 2. LOCATE CURB CLEANOUT BETWEEN CURB AND SIDEWALK, BUT NOT UNDERNEATH ANY CURB SIDE UTILITIES.
 3. FOR 4" BUILDING SEWER, USE ECCENTRIC 4"x6" ADAPTER FITTING FOR TRANSITION TO TEST TEE (4"x6" FLEXIBLE COUPLING NOT ALLOWED).
 4. CLEANOUT/TEST TEE SPACING IS 90' MAXIMUM.
 5. WALL SLEEVE (REFER TO PAGE 615 P2603.4 OF THE IRC).
 6. ANY PIPE LESS THAN 3 FEET OF COVER SHALL BE DUCTILE IRON.
 7. REFER TO PAGE 645 AND 646 P2905.4.2 OF THE IRC.

STANDARD DETAILS
NEW BUILDING SEWER (FOR DEVELOPMENTS)
 HATFIELD TOWNSHIP MUNICIPAL AUTHORITY

FILE NAME: LAT-3-BLDGSEWER.dwg

DATE	REVISIONS
2/18	DWG. CREATED
SCALE NO SCALE	PL LAT-3A

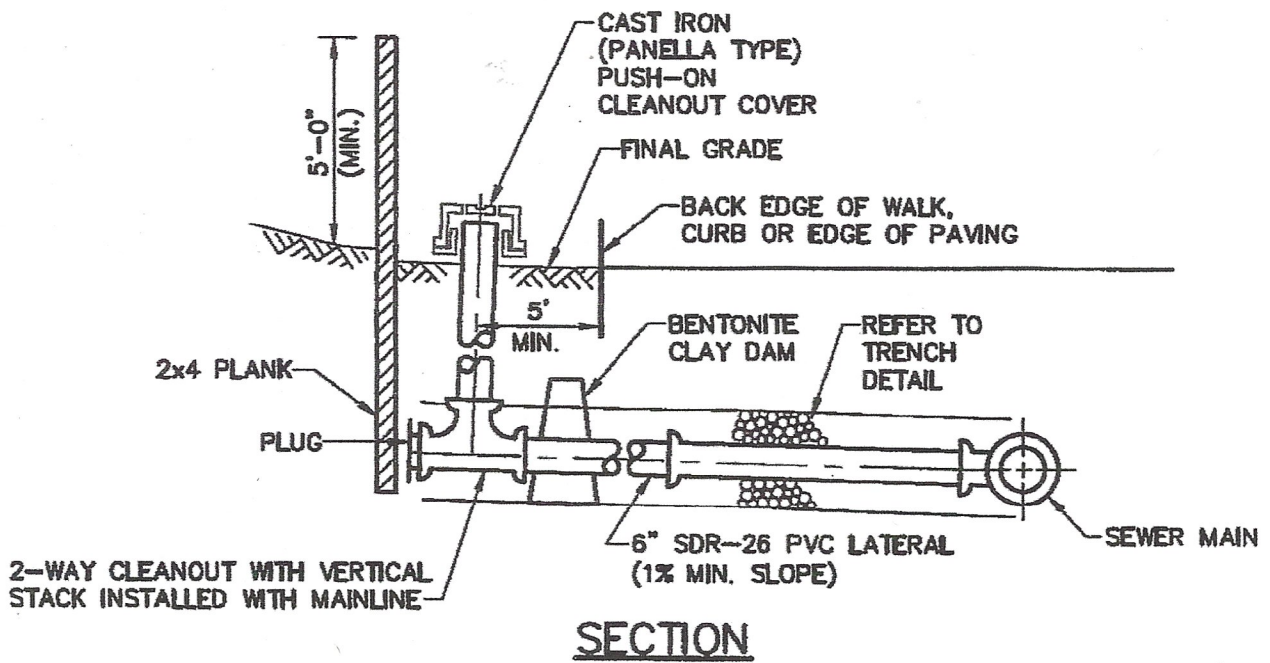
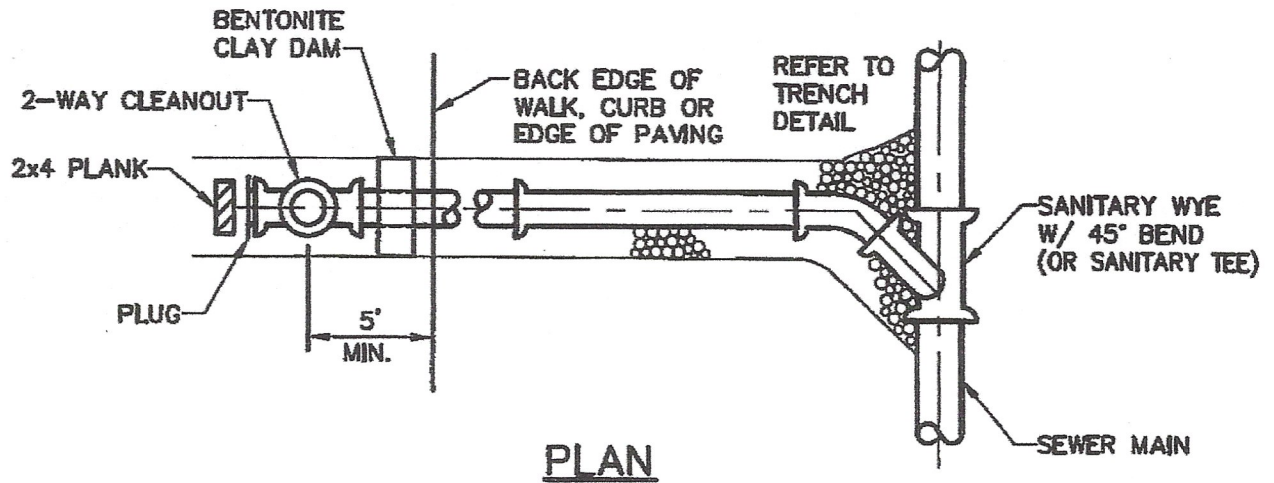


- NOTES:**
1. PIPE SIZES AND MATERIALS TO BE IN ACCORDANCE WITH TOWNSHIP RULES AND REGULATIONS.
 2. LOCATE TEST TEE 5' (MAX.) FROM CURB, OR CONNECTION POINT, IF KNOWN.
 3. IF 4" LATERAL OR BUILDING SEWER EXISTS, USE ECCENTRIC 4"x6" ADAPTER FITTING FOR TRANSITION TO TEST TEE (4"x6" FLEXIBLE COUPLING NOT ALLOWED).
 4. CLEANOUT/TEST TEE SPACING IS 50' MAXIMUM.

STANDARD DETAILS
EX BUILDING SEWER TO BE REPLACED
 HATFIELD TOWNSHIP MUNICIPAL AUTHORITY

FILE NAME: LAT-3b-BLDGSEWER-EX.dwg

DATE	REVISIONS
2/18	DWG. CREATED
SCALE NO SCALE	FILE LAT-3B



NOTES:

1. CURB CLEANOUT NOT TO BE LOCATED IN SIDEWALK, DRIVEWAYS OR BENEATH OTHER CURBLINE UTILITIES.
2. CLEANOUT TO BE LOCATED BETWEEN CURB AND SIDEWALK

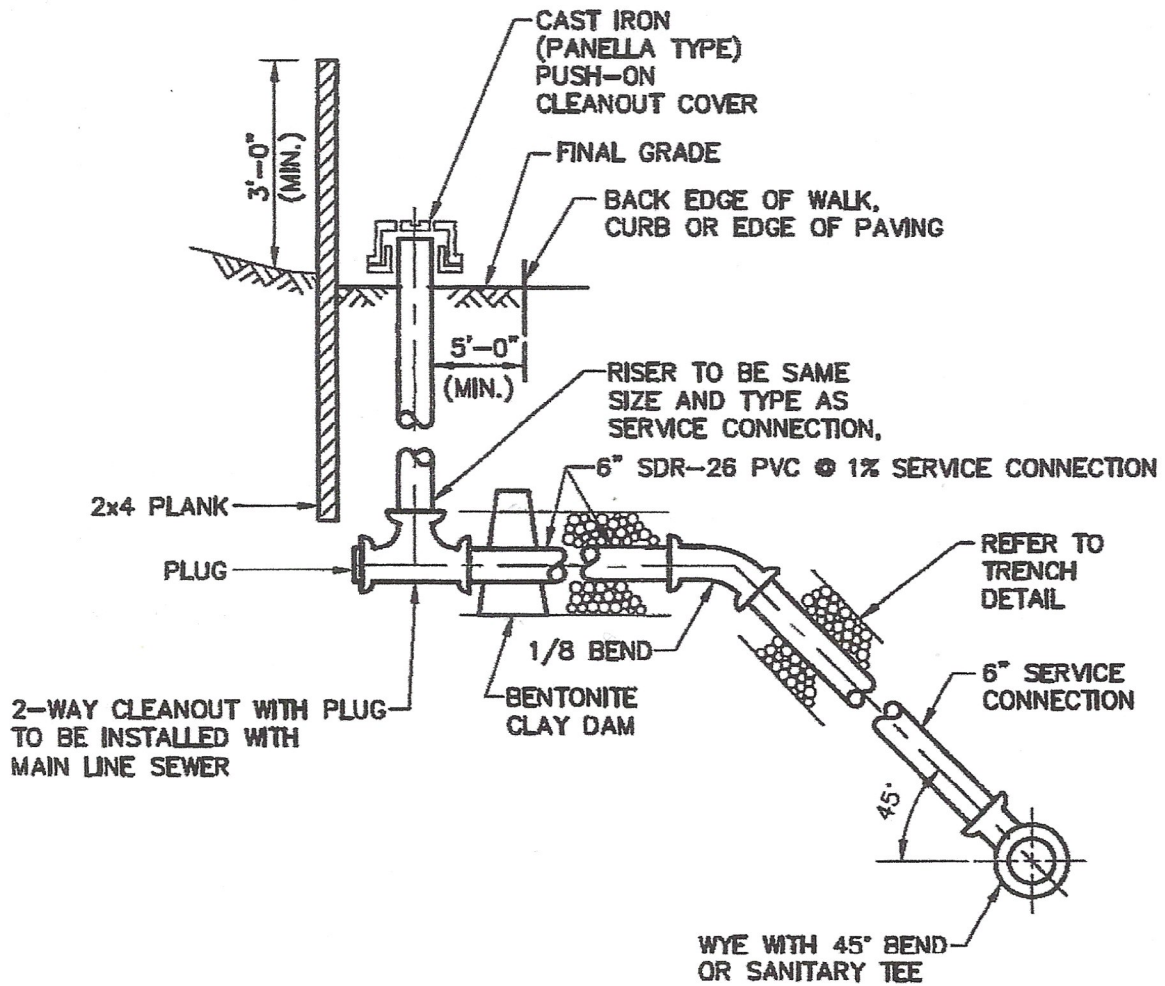
FILE NAME: LAT-1-SHALLOW.dwg

STANDARD DETAILS

SERVICE LATERAL - SHALLOW SEWER

HATFIELD TOWNSHIP MUNICIPAL AUTHORITY

DATE	REVISIONS
2/18	DWG. CREATED
SCALE NO SCALE	DWG. NO. LAT-1



ELEVATION

NOTES:

1. CURB CLEANOUT NOT TO BE LOCATED IN SIDEWALK, DRIVEWAY OR BENEATH OTHER CURBLINE UTILITIES.
2. CLEANOUT TO BE LOCATED BETWEEN SIDEWALK AND CURB.

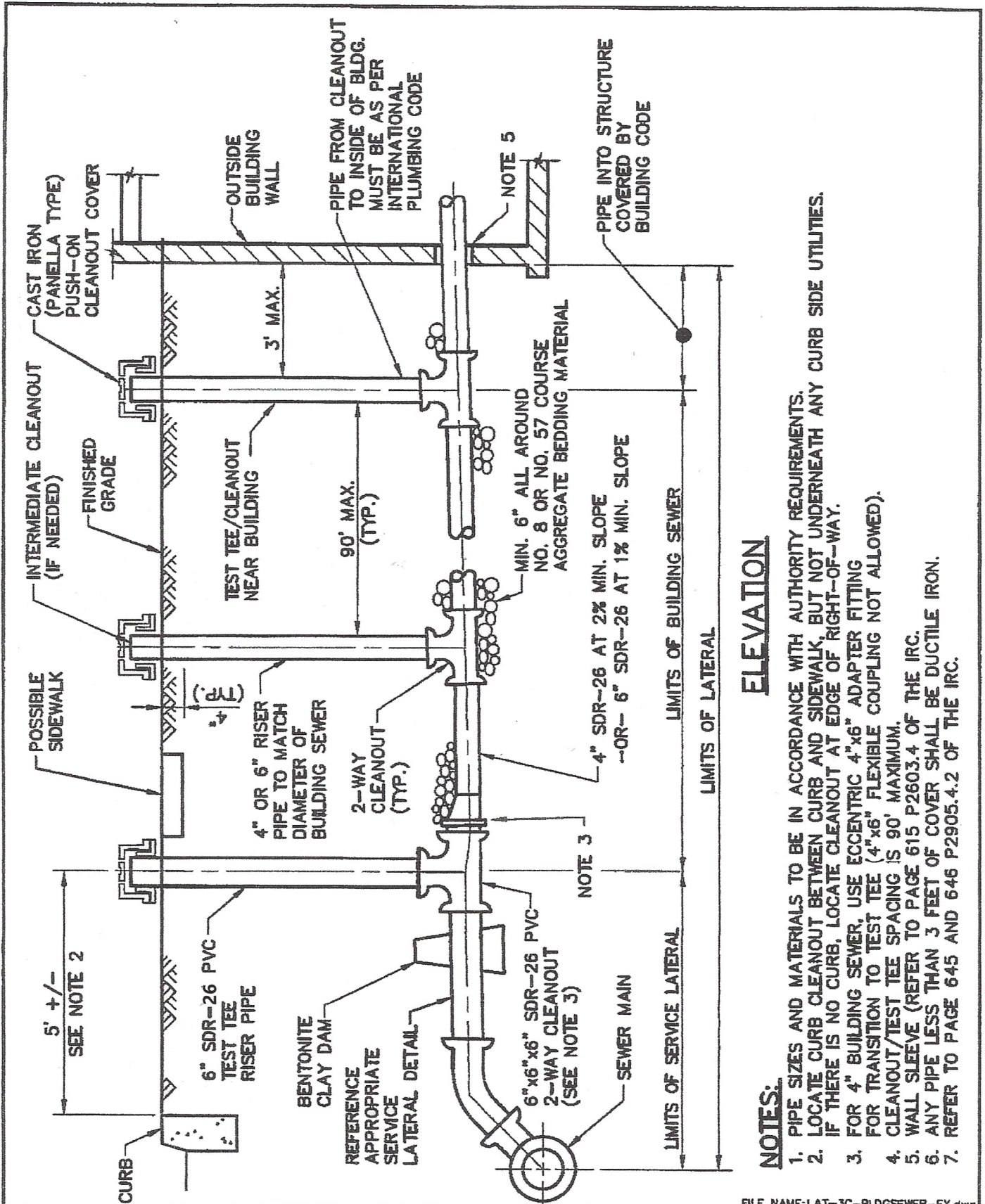
FILE NAME: LAT-2-DEEP.dwg

STANDARD DETAILS

SERVICE LATERAL - DEEP SEWER

HATFIELD TOWNSHIP MUNICIPAL AUTHORITY

DATE	REVISIONS
2/18	DWG. CREATED
SCALE NO SCALE	DWG. NO. LAT-2



ELEVATION

NOTES:

1. PIPE SIZES AND MATERIALS TO BE IN ACCORDANCE WITH AUTHORITY REQUIREMENTS.
2. LOCATE CURB CLEANOUT BETWEEN CURB AND SIDEWALK, BUT NOT UNDERNEATH ANY CURB SIDE UTILITIES. IF THERE IS NO CURB, LOCATE CLEANOUT AT EDGE OF RIGHT-OF-WAY.
3. FOR 4" BUILDING SEWER, USE ECCENTRIC 4"x6" ADAPTER FITTING FOR TRANSITION TO TEST TEE (4"x6" FLEXIBLE COUPLING NOT ALLOWED).
4. CLEANOUT/TEST TEE SPACING IS 90' MAXIMUM.
5. WALL SLEEVE (REFER TO PAGE 615 P2603.4 OF THE IRC).
6. ANY PIPE LESS THAN 3 FEET OF COVER SHALL BE DUCTILE IRON.
7. REFER TO PAGE 645 AND 646 P2905.4.2 OF THE IRC.

STANDARD DETAILS
EX BUILDING SEWER TO BE REPLACED
 HATFIELD TOWNSHIP MUNICIPAL AUTHORITY

FILE NAME: LAT-3C-BLDGSEWER-EX.dwg

DATE	REVISIONS
2/18	DWG. CREATED
SCALE NO SCALE	FILE LAT-3C